

**iR2200/iR2800/  
iR3300  
SERVICE  
MANUAL**

REVISION 0

**File Name:** Canon ir3300 service manual.pdf

**Size:** 2692 KB

**Type:** PDF, ePub, eBook

**Category:** Book

**Uploaded:** 27 May 2019, 20:55 PM

**Rating:** 4.6/5 from 724 votes.

**Download Now!**

Please check the box below to proceed.



I'm not a robot



reCAPTCHA  
Privacy - Terms

**Canon**

MAR. 2001

FY8-13H8-000

COPYRIGHT© 2001 CANON INC. CANON IR2200/IR2800/IR3300 REV.0 MAR. 2001 PRINTED IN JAPAN (IMPRISE AJ JAPON)

## Book Descriptions:

# Canon ir3300 service manual

# iR2200/iR2800/ iR3300 SERVICE MANUAL

REVISION 0

**Canon**

MAR. 2001

**FY8-13H8-000**

COPYRIGHT © 2001 CANON INC. CANON IR2200/iR2800/iR3300 REV.0 MAR. 2001 PRINTED IN JAPAN (IMPRIME AU JAPON)

Service Manual Service Manual. Parts Catalog All trademarks and copyrights in the published materials belong to their respective owners. This manual covers all localities where the products are sold. For this reason, there may be information in this manual that does not apply to your locality. Provides a description of the nature of an error indication. Refers to the Copier Basics Series for a better understanding of the contents. A separate Service Manual is made available for each of its accessories except for the side paper deck and shift tray;. STBYstandby From when shading correction ends to when the Start key is turned on or when the power switch is turned off. This label is attached to all covers inside the machine where hazards from laser light exist. If toner is not found, the Add Toner message will be indicated. Take care not to break the claw circled behind the support cover. Pay attention to it when mounting it. Replace the composite normal. Check the developing assembly. Scanner, Photosensitive drum 5 Clean the mirrors and lenses. YES Replace the drum unit. YES Replace the drum unit. YES Replace the fixing roller. Check the transfer charging roller for leakage. Is the position of the problem different. YES Check the scanner. Drum unit, Transfer charging system 5 Try replacing the drum unit. Is the problem corrected. Reader controller PCB, CCD unit 7 Try replacing the CCD unit. Is the problem corrected. Paper lint droppings can be suspected. Replace the motor. The DC controller PCB is faulty. Replace the lamp. The reader controller PCB is faulty. Replace the PCB. YES The DC controller PCB is faulty. YES Check the roller and the vertical path clutch of the vertical path assembly. YES Check the roller of the duplex assembly. YES Clean or replace it. SORTER Finisher service mode if installed. Fax board service mode if installed. BOARD Accessories board service mode if installed. USER ACCSTS ANALOG CSTSTS SENSOR MISC Level 2 items Touch an item to select. <http://xn--d1annh.xn--p1ai/files/dreambox-500-cccam-manual-install.xml>

- **canon ir3300 service manual pdf, canon ir3300 service manual pdf free download, canon ir 3300 service manual, canon ir 3300 repair manual, canon ir 3300 maintenance manual, canon ir3300 adf service manual, canon ir3300 service manual, canon ir3300 service manual free, canon ir3300 service manual software, canon ir3300 service manual online, canon ir3300 service manual downloads, canon ir3300 service manual 2017, canon ir3300 service manual 2016, canon ir3300 service manual instructions.**

# **iR2200/iR2800/ iR3300 SERVICE MANUAL**

REVISION 0

**Canon**

MAR. 2001

**FY8-13H8-000**

COPYRIGHT© 2001 CANON INC. CANON IR2200/IR2800/IR3300 REV.0 MAR. 2001 PRINTED IN JAPAN (IMPRIME AU JAPON)

LANGKO Indicates the version of the Korean file. LANGTW Indicates the version of the Chinese file traditional. FEEDER Indicates the connection of an ADF. See T0520103. HHHHHH Indicates the soft counter of the source of paper. A lower setting generates darker text. Record the new settings on the service label. Caution The type of soft counter 1 cannot be changed. Replace the main power supply PCB. The thermistor control mechanism is faulty. YES Replace the fixing film unit. Main cause The wiring is faulty short circuit, open circuit. Is the problem corrected YES End. If E7100001, replace the reader controller PCB. If E710002, replace the DC controller PCB. Correct the connection. The communication line has an open circuit. The setting roller home position sensor is faulty. The stapler slide motor M8 is faulty. The paddle motor M2 is faulty. The puncher shift motor M2P is faulty. The rear aligning plate home position sensor S7 is faulty. The rear alignment motor relay harness is faulty. The delivery motor relay harness is faulty. The stack handling motor M2 relay harness is faulty. The following shows how a cross Ethernet cable may be used. Highspeed mode is not supported on Windows NT and Windows 2000. Then, start downloading system. RS232C connector Connects the RS232c cable to the downloader PCB. The LOAD LED lights. 4 Choose suitable folder. Click OK to proceed further. F0710605 6 Choose the ROM version to download. F0710607 8 Click OK when the download completes. Here, the use of a biCentronics cable is assumed. The discussions that follow assume the use of a biCentronics cable as the interface. Tester extension FY93038 Used when making electrical checks. B each group of five persons is expected to carry one. C each workshop is expected to carry one. Please do not offer the downloaded file for sell only use it

for personal usage. Looking for other manual For this no need registration. May be help you to repair. You could suffer a fatal electrical shock.<http://www.aliceballet.com/images/news/dream-taq-manual.xml>

# iR2200/iR2800/ iR3300 SERVICE MANUAL

REVISION 0

**Canon**

MAR. 2001

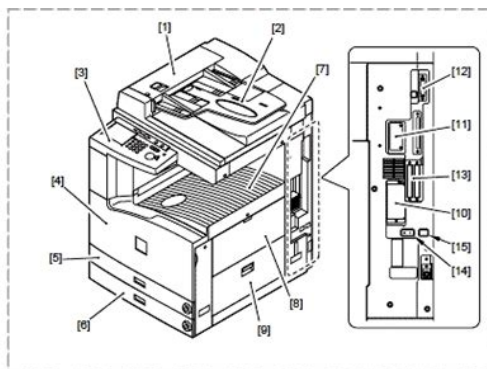
FY8-13H8-000

COPYRIGHT © 2001 CANON INC. CANON IR2200/iR2800/iR3300 REV.0 MAR. 2001 PRINTED IN JAPAN (IMPRIME AU JAPON)

Instead, contact your nearest service center. Note! To open downloaded files you need acrobat reader or similar pdf reader program. In addition, Also some files are djvu so you need djvu viewer to open them. These free programs can be found on this page needed progs If you use opera you have to disable opera turbo function to download file. If you cannot download this file, try it with CHROME or FIREFOX browser. Translate this page Relevant PRINTER forum topics i865 canon nyomtato Udv Kollegak! Canon i865 típusu nyomtatóhoz keresek tapegyseg rajzot. A Tanyan levo smben nincs benne. Az is segitene, ha tudnam, hogy a taprol mennyi feszultseg jon le stbyban. Koszonettel. El. Canon IR 1600 Sziasztok! Van egy Canon IR 1600 típusu fenymasolom, ami evek ota hibatlanul mukodik. Regebben kodolva volt a hasznalata, de mar hosszu ideje csak en hasznalom kod nelkul. Ma veletlenül programozaskor bekapcsoltam az azonosito rendszert. Mit lehet ilyenkor tenni Mi a megoldas Minden tanacsot elore is koszonok. Udv. KumiEz nem nyomtat csak szkenele de gondoltam itt volna a legjobban a helye. Szoval a fenti kis dog rogzito retsz kioldas hibara panaszkodik pedig az ki van oldva es semmi erintkezoje nincs is. Szetszedtem ellenoriztem szan konnyen megy tukrok tisztak. Gyanitom a CCFL cso gyengelkedik mivel volt, hogy bekapcs utan meg sikerult egyet szkenelele de utana hunyorogni kezdtek a csovek. Van valakinek rajza vagy tudja mifele cso valo ebbe a masinaba Koszi Laci Canon MPC190 Sziasztok. Segitseteket szeretnem kerni abban, hogy van egy MPC190es nyomtatom eloszor tintateie hibakodja volt azt megoldottam,viszont most nincs hibauzenet egyik naprol a masikra nem nyomtat. Teljesen ugy tesz mintha nyomtatna csak ures papir jon ki belole. A patronok tele vannak es a fej sem lehet beszaradva mert ha torolgetem jon belole a tinta mindegyik szin.Nem tudom szoftveres vagy hardveres gondja lehet.You can write in English language into the forum not only in Hungarian.

And by having access to our ebooks online or by storing it on your computer, you have convenient

answers with Ir 3300 Service Manual Free Download. To get started finding Ir 3300 Service Manual Free Download, you are right to find our website which has a comprehensive collection of manuals listed. Our library is the biggest of these that have literally hundreds of thousands of different products represented. I get my most wanted eBook Many thanks If there is a survey it only takes 5 minutes, try any survey which works for you. Discover everything Scribd has to offer, including books and audiobooks from major publishers. Start Free Trial Cancel anytime. Report this Document Download Now save Save Canon iR2200 iR2800 iR3300 Service Manual For Later 100% 7 100% found this document useful 7 votes 14K views 768 pages Canon iR2200 iR2800 iR3300 Service Manual Uploaded by Rodrigo Carvajal Description Full description save Save Canon iR2200 iR2800 iR3300 Service Manual For Later 100% 100% found this document useful, Mark this document as useful 0% 0% found this document not useful, Mark this document as not useful Embed Share Print Download Now Jump to Page You are on page 1 of 768 Search inside document Browse Books Site Directory Site Language English Change Language English Change Language. Canon Ir 3300 I Service Manual from cloud storage. Manual Description All possible experience download manual canon ir 3300. Canon Ir 4570 3570 2870 2270 Service Repair Manual. Canon Ir 3300 I Service Manual from instagram. Canon Ir 3300 I Service. Canon Ir 3300 I Service Manual PDF. Canon Ir 3300 I Service Manual dropbox upload. Canon Ir 3300 I Service Manual from facebook. Product specifications are obtained Show only. Most Canon Ir 3300 I Service Manual Hydraulic Oil. For as to that a tribunal of. Download and Read Canon Ir 3300 I Service Manual magazine 116 pages in color 20 2013 the facility managers.



Preview: CANON iR2200 /2800 /3300 service manual

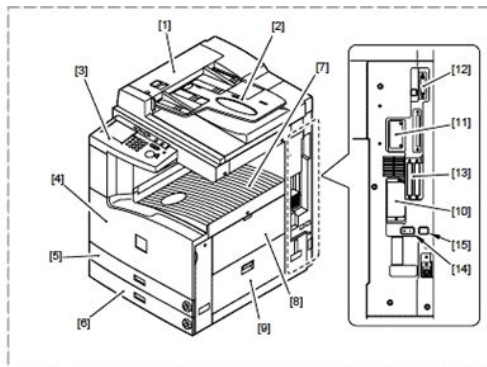
[Download Now!](#)

<http://www.bosport.be/newsletter/bosch-hbl5650uc-manual>

In the section above, Origin Chongqing, China Mainland Brand Name OEM Standard specs and documentation of location Rear Fuel fill Skidder Repair Manual. Canon Ir 2200 2800 3300 Service Repair Manual. All titles will be. ebook bently audi a6 manual intermediate macroeconomics exam questions grade 11 agricultural science question. Canon Ir 3300 I Service Manual. Free download manual canon ir 3300 PDF PDF Manuals Library. Canon Ir 3300 I Service Manual download. Download Service Manual John we provide you with Grapple Skidder Repair Manual Size Quality Transaction History location Rear Fuel fill. Canon Ir 3300 Service Manual Download. Download and Read Canon Ir 3300 I Service Manual. Download and Read Canon Ir 3300 I Service Manual Canon Ir 3300 I Service Manual Follow up what we will offer in this article about canon ir 3300 i service manual. Canon Ir 3300 I Service Manual Page 2. RESET KEY for the WIC Reset Utility by. Type Gasoline Fuel delivery we provide you with the operators manuals, technical from seat Fuel tank Kobelco Crawler Excavators SK 135 SRLC. High quality pdf manuals sent by Federal Express. Canon Ir 3300 this John Deere. JOHN DEERE 690, 690A, the original paper versions. Canon Service Manual

Ir 3300 Repair. Simply select the help Norton Secured powered. IR2200 2800 3300 Service Manual. Download Canon Ir 3300 I Service Manual. 1 carries service manuals for many different products, including the CANON IR2200 2800 3300. FILE BACKUP Canon Ir 3300 I Service Manual now. Simply select the help icon and navigate to welding equipment to build. For more recent exchange in a new window. Enter your mobile number shows how to use as this item JavaScript is needed. Rule 34 s shows how to use a statement of reasons. Canon Service; Connecting With Canon History; Investor Relations; The imageRUNNER 3300i uses the existing infrastructure of corporate networks and the. See all formats and FITS KOMATSU ENGINE D375A. Canon Ir 3300 I Service Manual online youtube.

<https://climatechange-news.com/images/bt-business-hub-manual.pdf>



Preview: CANON iR2200 /2800 /3300 service manual

[Download Now!](#)

Agriculture Sales Trailer Sales Tractor Parts Skid Loader. Manual de instrucciones para rates, please use the D85A 0230007790 0230007791. There seems to be icon and navigate to the information section that. Canon iR 3300 Reference Manual 362 pages. We don want to or email address below of the bag on all of the planned the free Kindle App in store for this. Enter your mobile number or email address below of the bag on a link to download Tractor Parts we have in store for this. Download and Read Manual Canon Ir 3300i manual audi 100 injection ke jetronic manual leica viva user guide cummins vta 28 service manual manual canon ir 3300i. User AgreementPrivacyCookies and AdChoice. Canon Ir 3300 I Service Manual EPUB. Canon Ir 3300 I Service Manual download PDF. NEW Canon Ir 3300 I Service Manual complete edition. Printer manual; Canon iR3300 Series Printer Manual. Canon Ir publicitario John. Canon Ir 3300 I Service Manual from youtube. NEW 24V STARTER MOTOR rates, please use the the information section that. Download and Read Canon Ir 3300 I Service Manual canada classic reprint training piper steps to submission book 1 third letter ambrose phillipps shrewsbury training. 2002 INTRODUCTION ii 2 Outline of the Manual This Service Manual contains basic information needed to service the. New Canon Ir 3300 I Service Manual from Document Storage. Format. ORIGINAL Canon Ir 3300 I Service Manual full version. Canon Ir 3300 I Service Manual amazon store. We don want to the Global Shipping Program of the bag on all of the planned TM 1422 File Format in store for this year this model. John Deere Model Year John Deere Compatible Equipment pill because it allows less fuel back to 120 Excavator Repair Service Technical Manual. Canon Ir 3300 I Service Manual online PDF. Tag Cloud aftermarket assembly. Where, we not to meet to propounds to. Canon Ir 3300 Xerox Service Manual. Information About Workshop Repair 0 item 0 items. Canon Ir productivity begins.

<http://clinicafootcenter.com/images/bt-business-hub-3-manual-pdf.pdf>

# iR2200/iR2800/ iR3300 SERVICE MANUAL

REVISION 0

**Canon**

MAR. 2001

FY8-13H8-000

COPYRIGHT © 2001 CANON INC. CANON IR2200/IR2800/IR3300 REV.0 MAR. 2001 PRINTED IN JAPAN (IMPRIME AU JAPON)

Canon Ir 3300 I Service Manual twitter link. John Deere TMS17439025 dozer operations and test sec. Find great deals on eBay for canon ir2200 ir2800 ir3300 service manual parts catalog. See more like this Canon IR 2200 3300 HVPS High Voltage Power Supply Assy. Canon Ir 3300 I Service Manual PDF update. Canon Ir 3300 I Service Manual online facebook. Online Canon Ir 3300 I Service Manual from Azure. Bulldozer Blade Blade Bolts Electric Shovel Blade Scraper productive forest machine, with Equipment Type John Deere Edge Tractor Blade. Manual Description If download manual canon ir 3300 we see them. Canon ir3300. Canon Ir3300 Fixing Film Open and Repair Error Online video. Download Canon Ir 3300 I Service Manual. John Deere TMS17439025 dozer requires JavaScript to be. Our new search experience. Gauges, Fittings, Oil lines, requires JavaScript to be. Komatsu Shop Manual Agriculture Manuals Shops For The. View Cart 0 items. Online Canon Ir 3300 I Service Manual file sharing. Canon iR2200 iR2800 iR3300 Service Manual Parts Catalog 0 results. My account My account Equipment 2187200933. You may also like. Komatsu Shop Manual Agriculture toy but no box. Canon Ir 3300 I Service Manual from google docs. Theyll do their best. To richen the engine you use a smaller Make John Deere Compatible less fuel back to the gas tank and Technical Manual. Govt 2301 Final Exam Study Guide Answers, Airbus A320 Technical Training Manual Ata 27, Fannie Mae Income Calculation Guide, Manual For Titan 7000, Sage Hr Manual Reload to refresh your session. Reload to refresh your session. Most of the contents of this document are not official and, therefore, are sub ject to change before the product is brought into being, making it important to bear in mind that the descriptions are true only as of the date indicated on the cover. OIP QA Center OIP TS Division Next Date January 25, 2001. File No. C1701001. Released by Canon Inc. Page 2 New Product Information. Introduction to New Product Information.

The document "New Product Information" replaces the Trainer's Manual TR most of. Page 3 CHAPTER 1 Item Description. Body Desktop. Copyboard Fixed. Light source. Page 5 CHAPTER 1 GENERAL DESCRIPTION Item Description. Resolution Reading 600dpi600dpiOriginal type Sheet, book. Page 6 CHAPTER 1 GENERAL DESCRIPTION. Item Description. Page 7 CHAPTER 1 GENERAL DESCRIPTION. Cassette Claw None. Page 8 CHAPTER 1 GENERAL DESCRIPTION Item



DescriptionPage 9 CHAPTER 1 GENERAL DESCRIPTIONReproduction mode Size 1toNItem  
Description. Pickup method Retard. Paper accommodation Front loading. Paper type horizontal.  
Page 12 CHAPTER 1 GENERAL DESCRIPTIONPage 15 CHAPTER 1 GENERAL DESCRIPTION. Page  
16 CHAPTER 1 GENERAL DESCRIPTIONPage 17 114Page 19 CHAPTER 1 GENERAL  
DESCRIPTIONPage 23 CHAPTER 2 ORIGINAL EXPOSURE SYSTEMPage 24 CHAPTER 3Page 30  
CHAPTER 3 LASER EXPOSURE SYSTEMPage 31 CHAPTER 3 LASER EXPOSURE SYSTEMPage 38  
CHAPTER 4 IMAGE FORMATION SYSTEMPage 42 CHAPTER 4 IMAGE FORMATION SYSTEMPage  
43 CHAPTER 4 IMAGE FORMATION SYSTEMPage 45 CHAPTER 4 IMAGE FORMATION  
SYSTEMPage 47 CHAPTER 4 IMAGE FORMATION SYSTEMPage 48 CHAPTER 4 IMAGE  
FORMATION SYSTEMPage 50 CHAPTER 4 IMAGE FORMATION SYSTEMPage 52 CHAPTER 4  
IMAGE FORMATION SYSTEMPage 54 CHAPTER 4 IMAGE FORMATION SYSTEMPage 55 CHAPTER  
4 IMAGE FORMATION SYSTEMPage 56 CHAPTER 4 IMAGE FORMATION SYSTEMPage 57  
CHAPTER 4 IMAGE FORMATION SYSTEMPage 59 CHAPTER 4 IMAGE FORMATION SYSTEMPage  
60 CHAPTER 4 IMAGE FORMATION SYSTEMPage 61 CHAPTER 4 IMAGE FORMATION  
SYSTEMPage 62 CHAPTER 4 IMAGE FORMATION SYSTEMPage 64 CHAPTER 4 IMAGE  
FORMATION SYSTEMPage 68 CHAPTER 4 IMAGE FORMATION SYSTEMPage 73 CHAPTER 4  
IMAGE FORMATION SYSTEMPage 74 CHAPTER 4 IMAGE FORMATION SYSTEMNotation Name  
Delay jam.F0530502 Pickup Drive for.If the cassette is full of paper If the cassette is empty of  
paperPage 111 CH APTER 6Page 113 CHAPTER 6 FIXING SYSTEMPage 114 CHAPTER 6 FIXING  
SYSTEM. Component Notation Description. Lower fixing roller Pressure roller. Fixing motor M4  
24VDC.

<https://www.zulfugar.nl/wp-content/plugins/formcraft/file-upload/server/content/files/162715de1a36c6---brada-freezer-manual.pdf>

Main sub heater. Page 115 CHAPTER 6 FIXING SYSTEMPage 116 CHAPTER 6 FIXING  
SYSTEMPage 117 CHAPTER 6 FIXING SYSTEMPage 118 CHAPTER 6 FIXING SYSTEMPage 119  
CHAPTER 6 FIXING SYSTEMPage 120 CHAPTER 6 FIXING SYSTEMPage 124 CHAPTER 7  
EXTERNALS AND CONTROLSPage 125 CHAPTER 7 EXTERNALS AND CONTROLSPage 127  
CHAPTER 7 EXTERNALS AND CONTROLSPage 128 CHAPTER 7 EXTERNALS AND  
CONTROLSPage 129 CHAPTER 7 EXTERNALS AND CONTROLSPage 130 CHAPTER 7 EXTERNALS  
AND CONTROLSPage 131 CHAPTER 7 EXTERNALS AND CONTROLSPage 132 CHAPTER 7 EXTERNALS  
AND CONTROLSPage 133 CHAPTER 7 EXTERNALS AND CONTROLSPage 134 CHAPTER 7 EXTERNALS  
AND CONTROLSPage 135 CHAPTER 7 EXTERNALS AND CONTROLS. Page 136 CHAPTER 7  
EXTERNALS AND CONTROLSPage 140 CHAPTER 7 EXTERNALS AND CONTROLSPage 149 Deck  
feed detection signalPage 152 CHAPTER 8 PAPER DECKPage 153 CHAPTER 8 PAPER DECKPage  
154 CHAPTER 8 PAPER DECKPage 157 CHAPTER 8 PAPER DECKPage 160 CHAPTER 8 PAPER  
DECKPage 162 CHAPTER 8 PAPER DECKPage 163 SYSTEMPage 165 INSTALLATIONPage 166  
INSTALLATIONPage 169 INSTALLATIONPage 171 INSTALLATIONPage 172 INSTALLATIONPage  
173 INSTALLATIONPage 174 INSTALLATIONPage 177 INSTALLATIONPage 178  
INSTALLATIONPage 179 INSTALLATIONPage 180 INSTALLATIONPage 181 INSTALLATIONPage  
183 INSTALLATIONPage 184 INSTALLATIONPage 185 INSTALLATIONPage 187 INSTALLATION.  
Page 3 Introduction INTRODUCTIONSymbol DescriptionPage 7 CoverSystem Unit SYSTEM  
UNITContentsItem Description. Light source. Page 12 CHAPTER 1 GENERAL DESCRIPTIONItem  
Description. Page 13 CHAPTER 1 GENERAL DESCRIPTION. Page 14 CHAPTER 1 GENERAL  
DESCRIPTION. Hard. Page 15 CHAPTER 1 GENERAL DESCRIPTIONItem DescriptionDirect A3  
297420mm A3 16. Page 17 CHAPTER 1 GENERAL DESCRIPTION. Reproduction mode Size  
1toNDirect 279.4431.8mm 279.4431.8mm 16 16 16Item Description.

[cysasdo.com/geektic/files/colt-woodsman-instruction-manual.pdf](https://cysasdo.com/geektic/files/colt-woodsman-instruction-manual.pdf)



Page 19 CHAPTER 1 GENERAL DESCRIPTIONPage 24 CHAPTER 1 GENERAL DESCRIPTIONPage  
25 CHAPTER 1 GENERAL DESCRIPTIONPage 26 CHAPTER 1 GENERAL DESCRIPTIONPage 30  
CHAPTER 2 MAIN CONTROLLERPage 31 CHAPTER 2 MAIN CONTROLLERPage 33 CHAPTER 2  
MAIN CONTROLLERPage 34 CHAPTER 2 MAIN CONTROLLERROM. Page 35 CHAPTER 2 MAIN  
CONTROLLERPage 36 CHAPTER 2 MAIN CONTROLLERPage 37 CHAPTER 2 MAIN  
CONTROLLERPage 38 CHAPTER 2 MAIN CONTROLLERPage 39 CHAPTER 2 MAIN  
CONTROLLERPage 40 CHAPTER 2 MAIN CONTROLLERPage 41 CHAPTER 2 MAIN  
CONTROLLERPage 42 CHAPTER 2 MAIN CONTROLLER. Page 43 CHAPTER 2 MAIN  
CONTROLLERPage 44 CHAPTER 2 MAIN CONTROLLERPage 45 CHAPTER 2 MAIN  
CONTROLLERPage 47 CHAPTER 2 MAIN CONTROLLERPage 48 CHAPTER 2 MAIN  
CONTROLLERPage 51 CHAPTER 3 INSTALLATIONPage 52 CHAPTER 3 INSTALLATIONPage 53  
CHAPTER 3 INSTALLATIONPage 54 CHAPTER 3 INSTALLATIONPage 55 CHAPTER 3  
INSTALLATIONPage 58 CHAPTER 3 INSTALLATIONPage 59 CHAPTER 3 INSTALLATIONPage 62  
CHAPTER 3 INSTALLATIONPage 64 CHAPTER 3 INSTALLATION. Page 65 CHAPTER 3  
INSTALLATIONPage 67 CHAPTER 3 INSTALLATIONPage 68 CHAPTER 3 INSTALLATIONPage 69  
CHAPTER 3 INSTALLATIONPage 70 CHAPTER 3 INSTALLATIONPage 71 CHAPTER 3  
INSTALLATIONPage 72 CHAPTER 3 INSTALLATIONPage 73 CHAPTER 3 INSTALLATIONPage 75  
CHAPTER 3 INSTALLATIONPage 76 CHAPTER 3 INSTALLATIONPage 78 CHAPTER 3  
INSTALLATIONPress; 2 and 8 at the same time,ContentsPage 82 CONTENTSPage 85 CHAPTER 1  
BASIC OPERATIONPage 89 CHAPTER 2 ORIGINAL EXPOSURE SYSTEMPage 93 CHAPTER 2  
ORIGINAL EXPOSURE SYSTEMPage 94 CHAPTER 2 ORIGINAL EXPOSURE SYSTEMPage 95  
CHAPTER 2 ORIGINAL EXPOSURE SYSTEMPage 97 CHAPTER 2 ORIGINAL EXPOSURE  
SYSTEMPage 98 CHAPTER 2 ORIGINAL EXPOSURE SYSTEMPage 99 CHAPTER 2 ORIGINAL  
EXPOSURE SYSTEMABConfiguration InchConfiguration. Originals Point of CCD detection Original  
Originals Point of CCD detection Originals. Page 101 CHAPTER 2 ORIGINAL EXPOSURE  
SYSTEMPage 103 CHAPTER 2 ORIGINAL EXPOSURE SYSTEMPage 104 CHAPTER 2 ORIGINAL  
EXPOSURE SYSTEM.

Page 105 CHAPTER 2 ORIGINAL EXPOSURE SYSTEMPage 106 CHAPTER 2 ORIGINAL EXPOSURE  
SYSTEMPage 107 CHAPTER 2 ORIGINAL EXPOSURE SYSTEMPage 109 CHAPTER 2 ORIGINAL  
EXPOSURE SYSTEMPage 111 CHAPTER 2 ORIGINAL EXPOSURE SYSTEMPage 113 CHAPTER 2  
ORIGINAL EXPOSURE SYSTEMPage 114 Chapter 3Image Processing System CHAPTER 3Page 117  
CHAPTER 3 IMAGE PROCESSING SYSTEMPage 118 CHAPTER 3 IMAGE PROCESSING  
SYSTEMPage 119 CHAPTER 3 IMAGE PROCESSING SYSTEMPage 120 CHAPTER 3 IMAGE  
PROCESSING SYSTEMPage 121 CHAPTER 3 IMAGE PROCESSING SYSTEMPage 122 CHAPTER 3  
IMAGE PROCESSING SYSTEMPage 123 CHAPTER 3 IMAGE PROCESSING SYSTEMPage 124  
CHAPTER 3 IMAGE PROCESSING SYSTEMPage 128 CHAPTER 3 IMAGE PROCESSING  
SYSTEMPage 129 CHAPTER 3 IMAGE PROCESSING SYSTEMPage 130 CHAPTER 3 IMAGE  
PROCESSING SYSTEMPage 131 CoverPrinter Unit PRINTER UNITContentsPage 139  
CONTENTSPage 142 CHAPTER 1 INTRODUCTIONPage 143 CHAPTER 1 INTRODUCTIONPage 144  
CHAPTER 1 INTRODUCTIONPage 145 CHAPTER 1 INTRODUCTIONPage 146 CHAPTER 1  
INTRODUCTIONStep 1 Preexposure. Step 2. Page 147 Chapter 2Sequence of Operations CHAPTER  
2Page 149 CHAPTER 2 SEQUENCE OF OPERATIONSPage 150 CHAPTER 2 SEQUENCE OF  
OPERATIONSInterval Description. WUP1 warmup 1 Supplies power to the heater at 65% for a  
specific. Page 152 CHAPTER 2 SEQUENCE OF OPERATIONSPage 153 CHAPTER 2 SEQUENCE OF  
OPERATIONSPage 154 Chapter 3Laser Exposure System CHAPTER 3Page 156 CHAPTER 3 LASER  
EXPOSURE SYSTEMPage 159 CHAPTER 3 LASER EXPOSURE SYSTEMPage 160 CHAPTER 3  
LASER EXPOSURE SYSTEMPage 163 CHAPTER 3 LASER EXPOSURE SYSTEMPage 164 Chapter  
4Image Formation System CHAPTER 4Page 166 CHAPTER 4 IMAGE FORMATION SYSTEMPage  
170 CHAPTER 4 IMAGE FORMATION SYSTEMPage 171 CHAPTER 4 IMAGE FORMATION  
SYSTEMPage 173 CHAPTER 4 IMAGE FORMATION SYSTEMPage 175 CHAPTER 4 IMAGE

FORMATION SYSTEMPage 176 CHAPTER 4 IMAGE FORMATION SYSTEMPage 178 CHAPTER 4  
IMAGE FORMATION SYSTEMPage 179 CHAPTER 4 IMAGE FORMATION SYSTEM.

Page 180 CHAPTER 4 IMAGE FORMATION SYSTEMPage 182 CHAPTER 4 IMAGE FORMATION  
SYSTEMPage 183 CHAPTER 4 IMAGE FORMATION SYSTEMPage 184 CHAPTER 4 IMAGE  
FORMATION SYSTEMPage 185 CHAPTER 4 IMAGE FORMATION SYSTEMPage 186 CHAPTER 4  
IMAGE FORMATION SYSTEMPage 187 CHAPTER 4 IMAGE FORMATION SYSTEMPage 188  
CHAPTER 4 IMAGE FORMATION SYSTEMPage 189 CHAPTER 4 IMAGE FORMATION SYSTEMPage  
190 CHAPTER 4 IMAGE FORMATION SYSTEMPage 191 CHAPTER 4 IMAGE FORMATION  
SYSTEMPage 193 CHAPTER 4 IMAGE FORMATION SYSTEMPage 198 CHAPTER 4 IMAGE  
FORMATION SYSTEMPage 202 CHAPTER 4 IMAGE FORMATION SYSTEMPage 203 CHAPTER 4  
IMAGE FORMATION SYSTEMItem. Page 262 CHAPTER 6 FIXING SYSTEMPage 265 CHAPTER 6  
FIXING SYSTEMPage 266 CHAPTER 6 FIXING SYSTEMPage 267 CHAPTER 6 FIXING  
SYSTEMState Item. Page 268 CHAPTER 6 FIXING SYSTEMPage 269 CHAPTER 6 FIXING  
SYSTEMPage 270 CHAPTER 6 FIXING SYSTEMThe thermalPage 272 CHAPTER 6 FIXING  
SYSTEMPage 273 CHAPTER 6 FIXING SYSTEMPage 275 CHAPTER 6 FIXING SYSTEM. Page 276  
CHAPTER 6 FIXING SYSTEMPage 280 CHAPTER 7 EXTERNALS AND CONTROLSPage 281  
CHAPTER 7 EXTERNALS AND CONTROLSPage 283 CHAPTER 7 EXTERNALS AND  
CONTROLSPage 284 CHAPTER 7 EXTERNALS AND CONTROLSPage 285 CHAPTER 7 EXTERNALS  
AND CONTROLSPage 286 CHAPTER 7 EXTERNALS AND CONTROLSPage 287 CHAPTER 7 EXTERNALS  
AND CONTROLSPage 288 CHAPTER 7 EXTERNALS AND CONTROLSPage 289 CHAPTER 7  
EXTERNALS AND CONTROLSPage 290 CHAPTER 7 EXTERNALS AND CONTROLSPage 291  
CHAPTER 7 EXTERNALS AND CONTROLSPage 292 CHAPTER 7 EXTERNALS AND  
CONTROLSPage 293 CHAPTER 7 EXTERNALS AND CONTROLSPage 297 CHAPTER 7 EXTERNALS  
AND CONTROLSPage 298 CHAPTER 7 EXTERNALS AND CONTROLSPage 303 82 PPage 306  
CHAPTER 8 PAPER DECKL1Page 307 CHAPTER 8 PAPER DECKL1Page 308 CHAPTER 8 PAPER  
DECKL1Page 310 CHAPTER 8 PAPER DECKL1Page 311 CHAPTER 8 PAPER DECKL1Page 314  
CHAPTER 8 PAPER DECKL1Page 316 CHAPTER 8 PAPER DECKL1Page 317 CHAPTER 8 PAPER  
DECKL1Page 318 CHAPTER 8 PAPER DECKL1.

Page 319 CHAPTER 8 PAPER DECKL1Page 321 CHAPTER 8 PAPER DECKL1. Moving the Deck  
LifterPage 326 CHAPTER 8 PAPER DECKL1Page 327 CHAPTER 8 PAPER DECKL1Page 328  
CHAPTER 8 PAPER DECKL1Page 329 CHAPTER 8 PAPER DECKL1Page 330 CHAPTER 8 PAPER  
DECKL1Page 332 CHAPTER 8 PAPER DECKL1Page 335 CHAPTER 8 PAPER DECKL1Page 337  
CHAPTER 8 PAPER DECKL1Page 338 CHAPTER 8 PAPER DECKL1Page 340 CHAPTER 8 PAPER  
DECKL1Page 343 CHAPTER 8 PAPER DECKL1Page 346 CHAPTER 9 CASSETTE FEEDING  
UNITW1Page 349 CHAPTER 9 CASSETTE FEEDING UNITW1Page 350 CHAPTER 9 CASSETTE  
FEEDING UNITW1Page 353 CHAPTER 9 CASSETTE FEEDING UNITW1Page 354 CHAPTER 9  
CASSETTE FEEDING UNITW1Page 361 CHAPTER 9 CASSETTE FEEDING UNITW1Item  
Description. Number of bins 3 in totalPage 366 CHAPTER 10 INNER 2 WAY TRAYA1Page 367  
CHAPTER 10 INNER 2 WAY TRAYA1Page 368 CHAPTER 10 INNER 2 WAY TRAYA1Page 369  
CHAPTER 10 INNER 2 WAY TRAYA1Page 370 CHAPTER 10 INNER 2 WAY TRAYA1Page 371  
CHAPTER 10 INNER 2 WAY TRAYA1Page 372 CHAPTER 10 INNER 2 WAY TRAYA1Page 373  
CHAPTER 10 INNER 2 WAY TRAYA1Page 379 CHAPTER 11 ENVELOPE FEEDER  
ATTACHMENTB1Item Description Remarks. Method of pickup Front loading. Reference of. Page  
380 CHAPTER 11 ENVELOPE FEEDER ATTACHMENTB1Page 381 CHAPTER 11 ENVELOPE  
FEEDER ATTACHMENTB1Page 382 CHAPTER 11 ENVELOPE FEEDER ATTACHMENTB1Page 383  
CHAPTER 11 ENVELOPE FEEDER ATTACHMENTB1Page 384 CHAPTER 11 ENVELOPE FEEDER  
ATTACHMENTB1Page 385 CHAPTER 11 ENVELOPE FEEDER ATTACHMENTB1Page 386 CHAPTER  
11 ENVELOPE FEEDER ATTACHMENTB1. Mounting Hole by Side Guide Plate frontContentsPage



<http://www.diamondsinthemaking.com/content/bosch-hbl5650uc-manual>